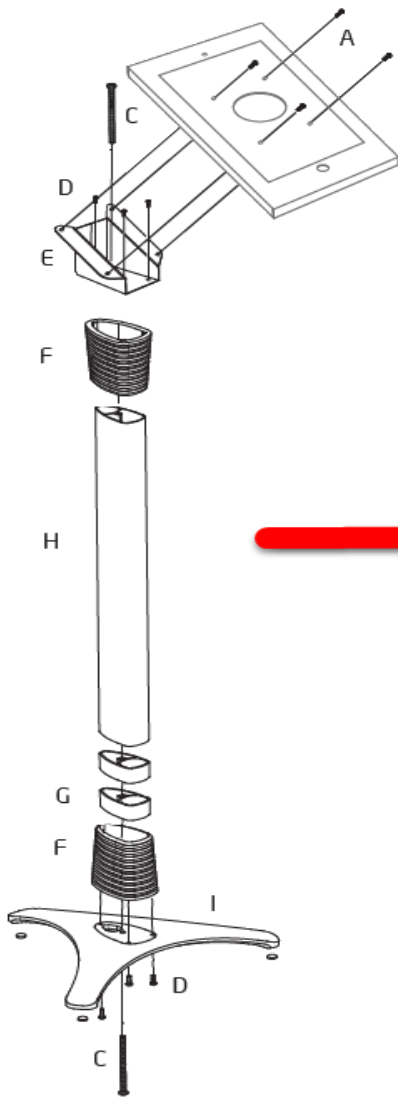


Adjustable iPad Security Stand

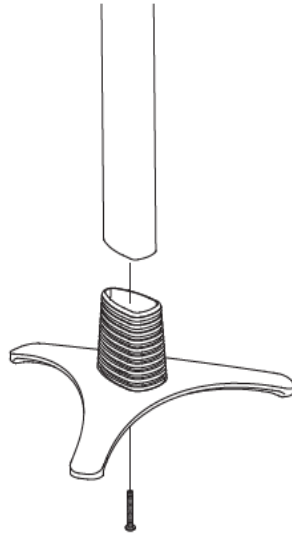
Parts List

- A. M4 x 8mm Pan Head Phillips Machine Screw [4]
- B. 1/4"-20 x 1-3/4" Pan Head Phillips Machine Screw [2]
- C. 1/4"-20 x 3-3/4" Pan Head Phillips Machine Screw [2]
- D. #8-16 x 1/2" Pan Head Phillips Self Threading Screw [6]
- E. Upper Mounting Bracket (100mm) [1]
- F. Riser Skirt Upper / Lower [2]
- G. Riser Spacer [2]
- H. Aluminium Riser [1]
- I. Cast Iron Base [1]



Assembly

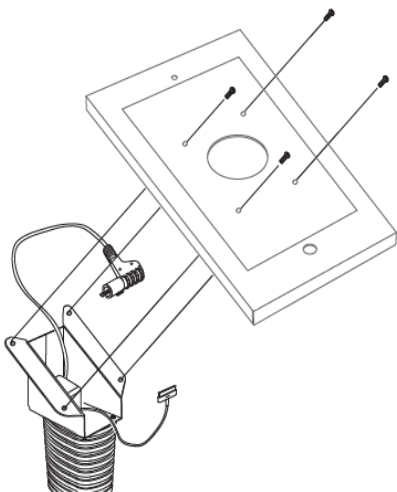
1. Begin at the base of the stand and connect the foot with the stand.



2. Mount your iPad enclosure:

Frame Option A – iPad 2 / 4 / Air

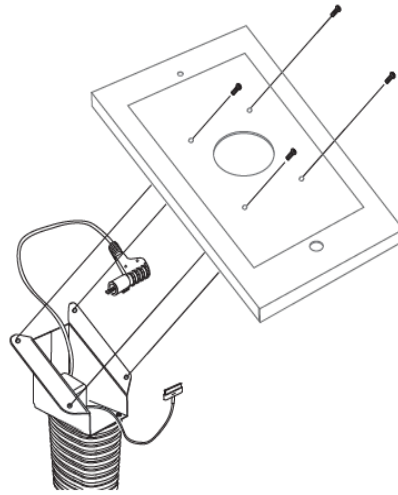
- Align the iPad enclosure with the stand bracket and carefully screw in the (4) provided screws.
- Insert your iPad into the enclosure and place the black plastic frame lining over the iPad, then place the metal frame on top.
- Make sure the iPad enclosure frame is aligned properly and screw in the (4) provided screws.





Frame Option B – iPad Pro

- Align the iPad enclosure with the stand bracket and carefully screw in the (4) provided screws.
- Unlock the enclosure with the provided security key and insert the iPad inside.
- Re-lock the enclosure to secure the iPad inside.



Please call our support team if you need assistance
setting up your rental devices
1(800) 622-6484